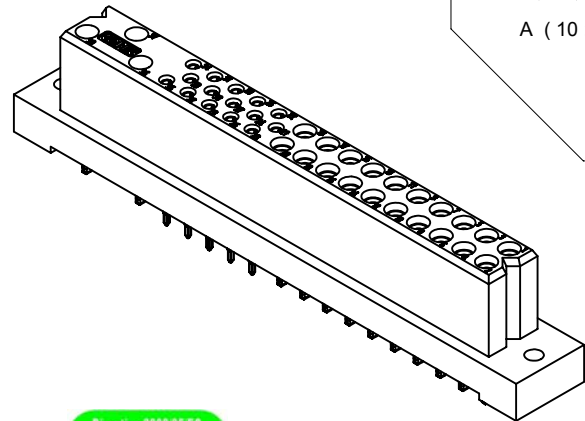


**NOTES:**

1. MATERIALS AND FINISHES:
  - INSULATOR: GLASS FILLED PLASTIC UL 94 V-0 RATED, GREY RAL 7035 D
  - CONTACTS: COPPER ALLOY, PLATING: FLASH GOLD OVER NICKEL
2. ELECTRICAL CHARACTERISTICS:
  - CREEPING AND CLEARANCE DISTANCE; MINIMUM:
    - CONTACT 38 TO CONTACT 37: 2.5 MM
    - CONTACT 38 TO CONTACT 36: 3.2 MM
    - CONTACT 37 TO CONTACT 36: 3.2 MM
    - CONTACT 38 TO SIGNAL CONTACTS: 6.4 MM
    - CONTACT 37 TO SIGNAL CONTACTS: 6.4 MM
    - CONTACT 36 TO SIGNAL CONTACTS: 2.0 MM
  - CONTACT CURRENT RATING:
    - POWER CONTACTS POS. 36-38: 40 AMPERES CONTINUOUS, ALL CONTACTS UNDER LOAD
    - POWER CONTACTS POS. 1-20: 28 AMPERES CONTINUOUS, ALL CONTACTS UNDER LOAD
    - SIGNAL CONTACTS: 5 AMPERES NOMINAL
  - INITIAL CONTACT RESISTANCE PER IEC 512-2, TEST 2b:
    - POWER CONTACTS: 0,0007 OHM MAX.
    - SIGNAL CONTACTS: 0,004 OHM MAX.
  - INSULATION RESISTANCE: 5 G OHM PER IEC 512-2, TEST 3a, METHOD A
3. WORKING TEMPERATURE: -55°C TO +125°C
4. PRESS-FIT PART OF CONTACTS ARE PATENT PROTECTED
5. CONNECTOR IS PART MARKED: [PART\_NO.]\_CONEC\_[ABC]



15	Signal contact (Pos. 21-35)	5		
20	Power contact type 3 (Pos. 1-20)	4		
1	Power contact type 2 (Pos. 36)	3		
2	Power contact type 1 (Pos. 37-38)	2		
1	Case 38pos. female	1		
quantity	part description	item	dwg no. / norm	material

THIS DRAWING MAY NOT BE COPIED OR REPRODUCED IN ANY WAY, AND MAY NOT BE PASSED ON TO A THIRD PARTY WITHOUT THE OWNERSHIP AND COPYRIGHT OF CONEC GmbH	finish:	tolerance	scale:	2:1
	see notes	ISO 2768-m		
	date	name	title:	
	drawn 10.02.05	Mankopf	SOCKET CONNECTOR 38pos.	
appd. 10.02.05	Kühle	PRESS-FIT STRAIGHT		
norm		CompactPCI		
d-old		dwg no:	[Inventor]	DIN-
1x c	Ä 2207	18.04.05	Mkf.	A2
1x b	Ä 2168	21.02.05	Mkf.	sh: 1
rev.	description	date	name	part no:
				45K1A002
				CPH38W23FGE3SK9X <span style="border: 1px solid black; border-radius: 50%; padding: 0 2px;">C</span>

